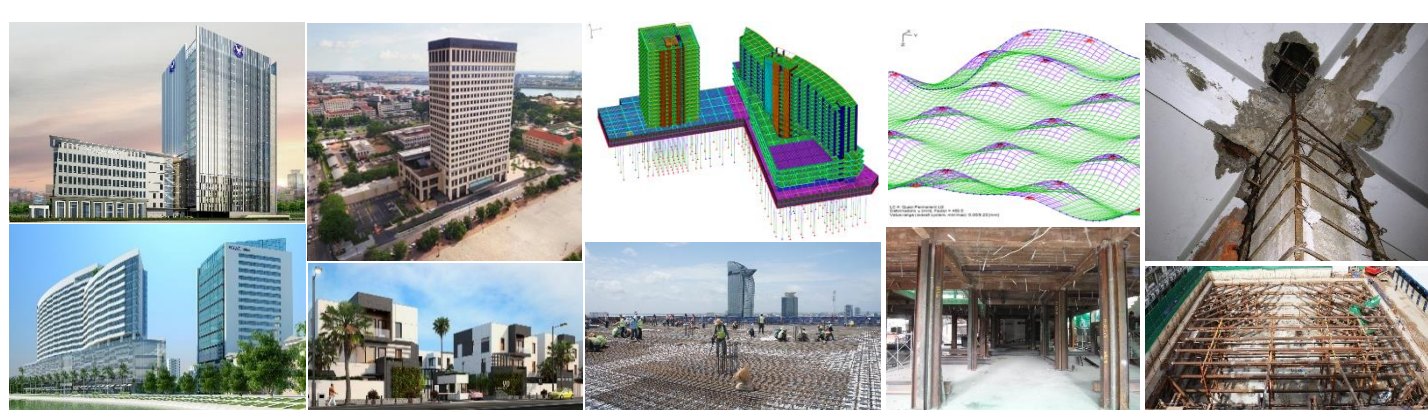


# Structural Strengthening



## STRUCTURAL ENGINEERING DEPARTMENT

41, Corner Street 313 & 588  
Sangkat Boeung Kok II  
Khan Toul Kork  
Phnom Penh, Cambodia  
phone: +855 (23) 984284, fax: +855 (23) 987907,  
email: [info@inros-lackner.net](mailto:info@inros-lackner.net), web: [www.inros-lackner.kh](http://www.inros-lackner.kh)

**Concept Design**

- Options of Strengthening Measures (Reinforced Concrete Jacketing, Steel Jacketing, FRP Confinement, ect.),
- Evaluation of the Proposed Options (Cost, Time, Aesthetic, ect.),
- Suggestion on the Best Option.

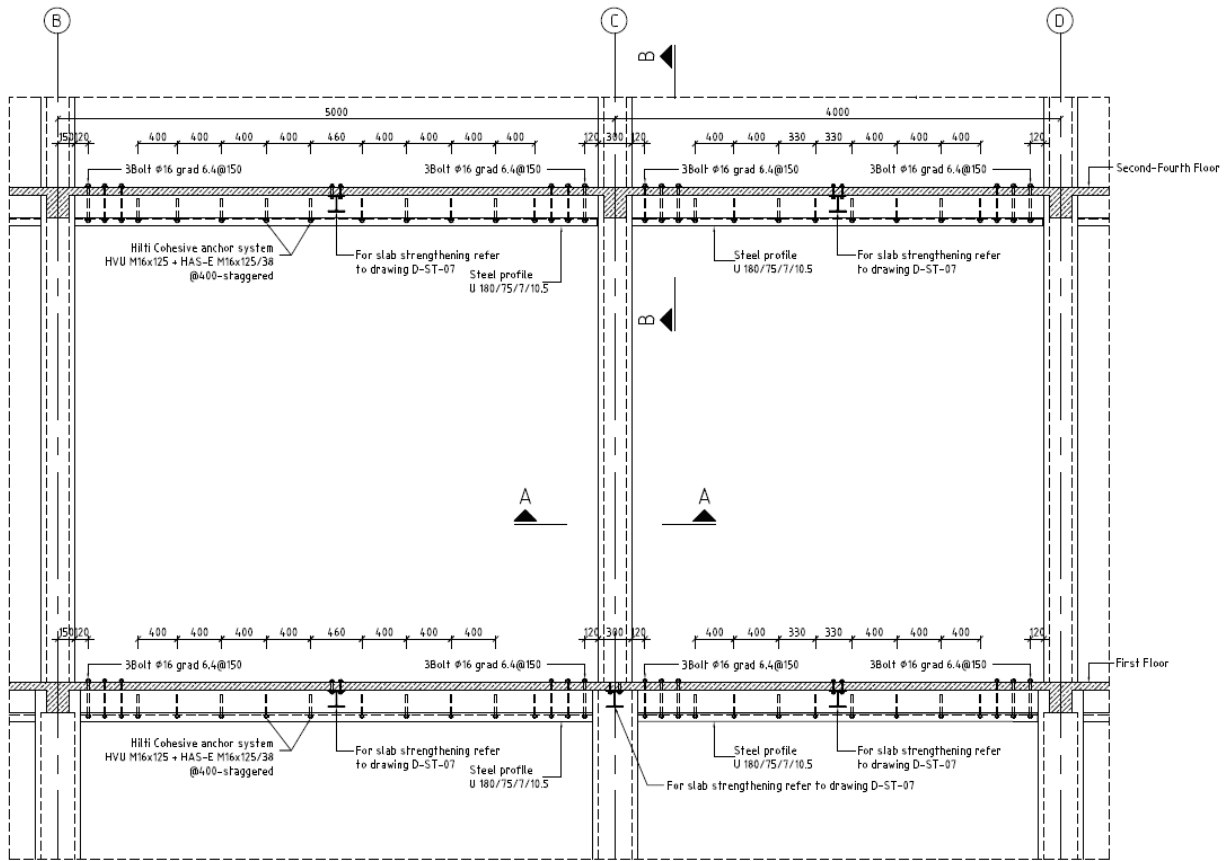


**Detailed Design**

Detailed Design of the Approved Strengthening Measures Based on the Assessment Results;

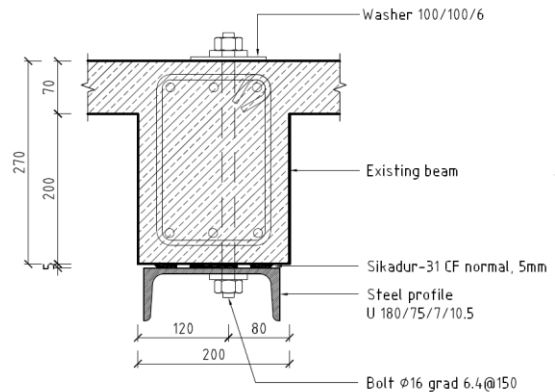
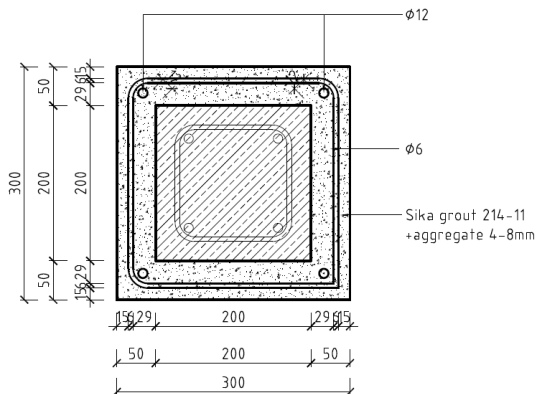
- Structural Design Calculation Compiling in Reports,
- Detailed Structural Drawings,
- Bill of Quantities for Structural Work,
- Consultant's Cost Estimate for Structural Work,
- Technical Specifications.

COLUMN AND BEAM STRENGTHENING



SECTION A-A

SECTION B-B



## Tendering Services

- Preparation of Invitation to Tender,
- Preparation of General and Particular Contract Conditions,
- Clarification of Questions by Contractors during Tender Period,
- Evaluation of Tender,
- Preparation of Construction Contract between Client and Contractor,
- Assisting in Contract Negotiation.

## Author Supervision

Author Supervision Services during Construction Period;

- Site Inspections (Materials, Method Statements, Quality, etc.),
- Clarification of Site Queries Related to the Design,
- Review of Contractor's Shop Drawings,
- Detection and Reporting of Variations to Design.

